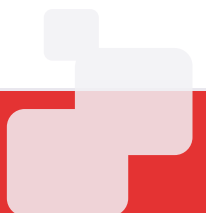




## **AdvanStation-210™** UHF-RFID encoding station

AdvanStation-210™ system efficiently encodes both  
hard and paper UHF-RFID tags



# AdvanStation-210™

## UHF-RFID encoding station

AdvanStation-210 is an **encoding station** for paper and hard RFID UHF tags.

AdvanStation-210 can also **kill tags** that have been encoded by error and need to be discarded, to prevent them from being read by the inventory management systems.

The screen shows information about the product that has been encoded.

AdvanStation-210 can encode RFID tags with **password protection**. In this way, the tags can not be rewritten without the password, which increases the security of the overall application.

### Benefits:

- Fast and effective encoding
- Easy to use, through a touch screen
- Very easy to install
- Can kill tags
- Can print tags
- Compatible with hard tags and paper tags
- Actionable data

### Applications:

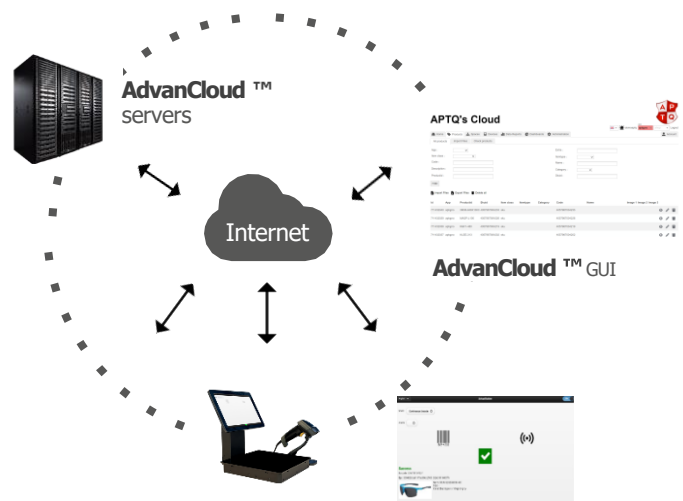
- Retail stores
- Distribution centers
- Libraries
- Hospitals
- Warehouses
- Factories
- Other spaces

AdvanStation-210 **comprises:**

- RFID subsystem
- Touch screen
- Embedded computer
- Barcode scanner
- Content and cloud-based software

### Process when encoding only with AdvanStation:

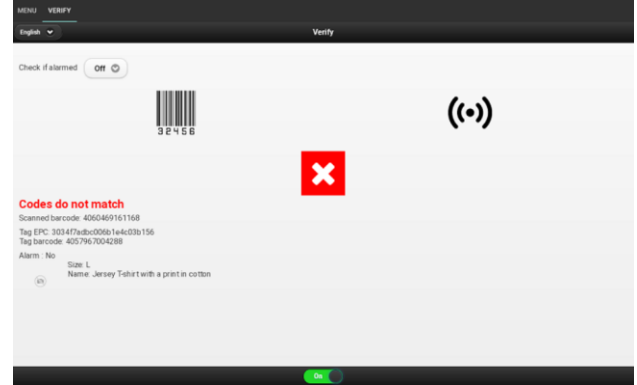
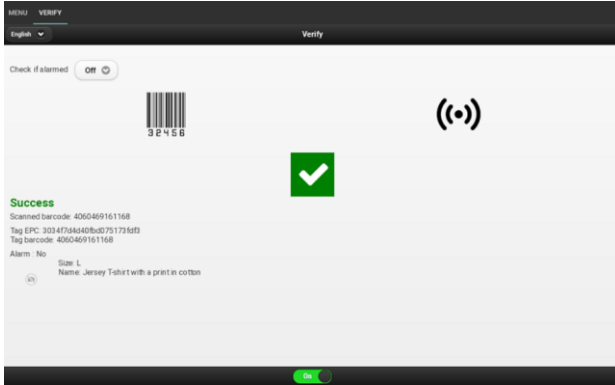
1. The user places an RFID tagged item over AdvanStation so that the RFID tag is over or near the magnet.
2. The label with the barcode printed on is read with the barcode scanner.
3. The EPC code of the RFID tag is automatically encoded.
4. The user can see in the screen the information of the product that has been encoded



# AdvanStation-210™

## UHF-RFID encoding station

### Interface



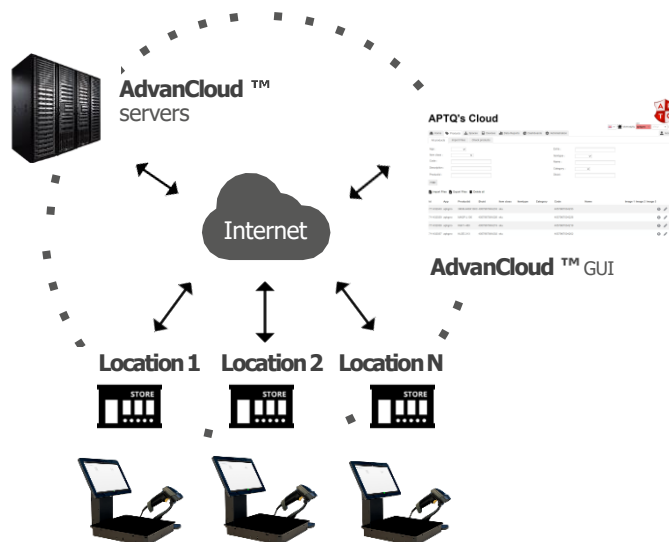
### Connection to AdvanCloud

The content and user interface of AdvanStation can be updated remotely very easily, by means of the **AdvanCloud cloud-based software**.

All the events are registered and stored in AdvanCloud. This information can then be analysed for **business intelligence** purposes:

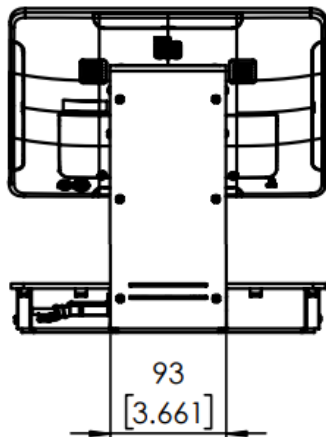
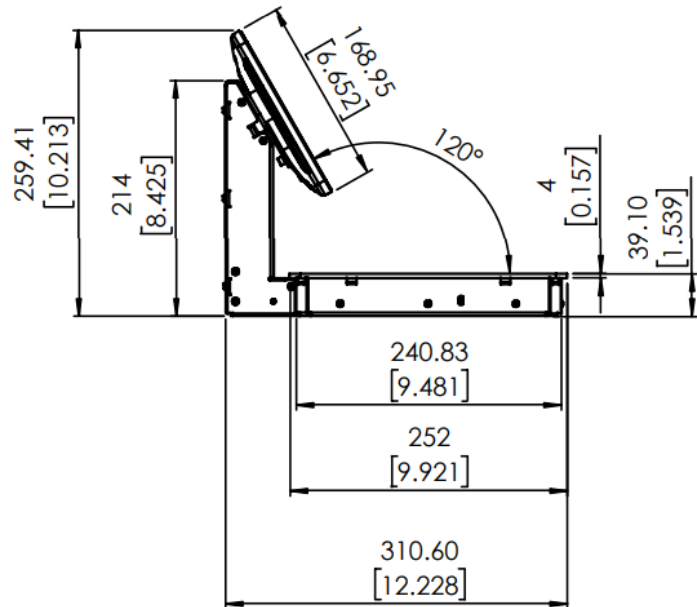
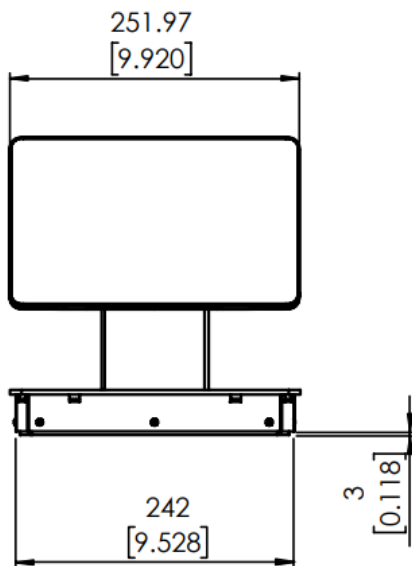
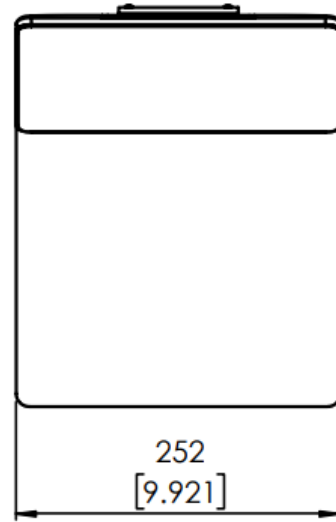
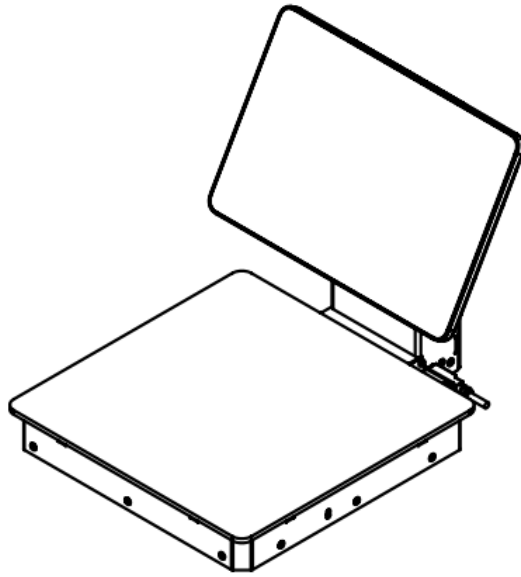
- Number of products that have been encoded
- How many days prior to expiration have the products been encoded
- Where were the products encoded
- Stock levels

....



# AdvanStation-210™

## System dimensions



Units in millimeters and [inches]

# AdvanStation-210™

## Specifications

### Technical specs

Touch screen technology	Projected capacitive
Supported regions	FCC (NA) (917.4 – 927.2) MHz FCC (NA) (917.5 – 922.5) MHz ETSI (EU) (865.6 - 867.6) MHz TRAI (India) (865 - 867) MHz KCC (Korea) (917 – 923.5) MHz MIC (Japan) (916.8 – 920.8) MHz ACMA (AU) (920 – 926) MHz NZ (New Zealand) (922 – 927.5) MHz SRRR-MII (P.R.China) (920.125 – 924.875) MHz
RFID Antenna polarization	Circularly polarized
Standard Compliance	EPCglobal Gen2 (ISO 18000-6C)
Security	RFID tag encoding with password
RFID Antenna gain	ETSI (EU) regions 3.2 dBiC (Typical), 3.4 dBiC (Max) 0.8 dBiL FCC (US) regions 3.4 dBiC (Typical), 3.6 dBiC (Max) 1.1 dBiL
RF Power output	Programmable from 0 dBm to 27 dBm in 0.5 dBm steps
Temperature	0 °C to +40 °C
Screen Size	10 inches
Weight	1,05 Kg

### Product reference

SKU	UHF-RFID-AS210-N
-----	------------------

With over 25 years of experience, APTQ specializes in electronic systems in Canada. Our team offers a range of quality products for loss prevention, inventory management, and cross-selling. We provide the best technologies available on the market, combined with our recognized expertise in the field, to ensure an optimal experience in every respect.

1 866-659-7880  
info@aptq.ca  
[www.aptq.ca](http://www.aptq.ca)

